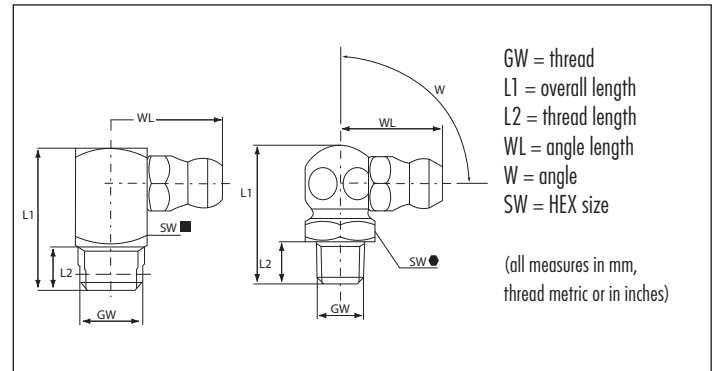


Type H3

Hydraulic-Type Grease Nipples



- according to DIN 71412
- angled version C/90°
- standard versions according to DIN are made of steel, zinc-plated and passivated, head case-hardened
- with tapered thread
- for other types and materials, please see table, or upon request



GW M 5 x 0.8						Ref.- No.:			
L1	L2	WL	W	SW		Steel	Brass	SST303	SST316L
18	5.5	13	90°	9mm HEX	■	1300901			

GW M 6 x 0.75						Ref.- No.:			
L1	L2	WL	W	SW		Steel	Brass	SST303	SST316L
18	5.5	14	90°	9mm SQ.	■	1304503			
18	5.5	13	90°	9mm HEX	●	1300903			

GW M 6 x 1.0						Ref.- No.:			
L1	L2	WL	W	SW		Steel	Brass	SST303	SST316L
18	5.5	14	90°	9mm SQ.	■	1304504			
18	5.5	13	90°	9mm HEX	●	1300904	1310904	1320904	1341630

GW M 7 x 1.0						Ref.- No.:			
L1	L2	WL	W	SW		Steel	Brass	SST303	SST316L
18	5.5	13	90°	9mm HEX	●	1300905			

GW M 8 x 0.75						Ref.- No.:			
L1	L2	WL	W	SW		Steel	Brass	SST303	SST316L
18	5.5	13	90°	9mm HEX	●	1300906			

GW M 8 x 1.0						Ref.- No.:			
L1	L2	WL	W	SW		Steel	Brass	SST303	SST316L
18	5.5	13	90°	9mm HEX	●	1300907	1310907	1320907	1340907
18	5.5	14	90°	9mm SQ.	■	1304507			

GW M 8 x 1.25						Ref.- No.:			
L1	L2	WL	W	SW		Steel	Brass	SST303	SST316L
18	5.5	14	90°	9mm SQ.	■	1304508			
18	5.5	13	90°	9mm HEX	●	1300908	1310908	1320908	

GW M 10 x 1.0						Ref.- No.:			
L1	L2	WL	W	SW		Steel	Brass	SST303	SST316L
18	5.5	15	90°	11mm SQ.	■	1304709			
20	5.5	14	90°	11mm HEX	●	1301109	1311109	1321109	1341109
42	7	15	90°	11mm SQ.	■	5242092			

GW M 10 x 1.25						Ref.- No.:			
L1	L2	WL	W	SW		Steel	Brass	SST303	SST316L
20	5.5	14	90°	11mm HEX	●	1301110			

GW M 10 x 1.5						Ref.- No.:			
L1	L2	WL	W	SW		Steel	Brass	SST303	SST316L
20	5.5	14	90°	11mm HEX	●	1301111		1321111	

GW M 12 x 1.0						Ref.- No.:			
L1	L2	WL	W	SW		Steel	Brass	SST303	SST316L
22	6.5	14	90°	14mm HEX	●	1301412			

GW M 12 x 1.5						Ref.- No.:			
L1	L2	WL	W	SW		Steel	Brass	SST303	SST316L
22	6.5	14	90°	14mm HEX	●	1301414			

GW M 12 x 1.75						Ref.- No.:			
L1	L2	WL	W	SW		Steel	Brass	SST303	SST316L
22	6.5	14	90°	14mm HEX	●	1301415			1341415

GW M 14 x 1.5						Ref.- No.:			
L1	L2	WL	W	SW		Steel	Brass	SST303	SST316L
22	6.5	14	90°	14mm HEX	●	1301417			

GW M 14 x 2.0						Ref.- No.:			
L1	L2	WL	W	SW		Steel	Brass	SST303	SST316L
22	6.5	14	90°	14mm HEX	●	1301419			

GW R 1/8, 1/8 - 28 BSP						Ref.- No.:			
L1	L2	WL	W	SW		Steel	Brass	SST303	SST316L
18	5.5	15	90°	11mm SQ. ■		1304756			
20	5.5	14	90°	11mm HEX ●		1301156	1311156	1321156	1341156
42	7	15	90°	11mm SQ. ■		5242093			

GW R 1/4, 1/4 - 19 BSP						Ref.- No.:			
L1	L2	WL	W	SW		Steel	Brass	SST303	SST316L
22	6.5	14	90°	14mm HEX ●		1301457	1311457	1321457	1341457

GW R 3/8, 3/8 - 19 BSP						Ref.- No.:			
L1	L2	WL	W	SW		Steel	Brass	SST303	SST316L
20	7	19	90°	17mm HEX ●		1301758			

GW 1/8" - 27 NPT/PTF						Ref.- No.:			
L1	L2	WL	W	SW		Steel	Brass	SST303	SST316L
18	5.5	15	90°	11mm SQ. ■		1304767			

GW 1/4" - 18 NPT/PTF						Ref.- No.:			
L1	L2	WL	W	SW		Steel	Brass	SST303	SST316L
22	6.5	14	90°	14mm HEX ●		1301468			

GW 1/4" - 26 BSF						Ref.- No.:			
L1	L2	WL	W	SW		Steel	Brass	SST303	SST316L
18	5.5	13	90°	9mm HEX ●		1300944	1310944	1320944	

GW 1/4" - 28 NF/UNF/SAE						Ref.- No.:			
L1	L2	WL	W	SW		Steel	Brass	SST303	SST316L
18	5.5	13	90°	9mm HEX ●		1300937	1310937	1320937	

GW 1/4" BSW						Ref.- No.:			
L1	L2	WL	W	SW		Steel	Brass	SST303	SST316L
18	5.5	13	90°	9mm HEX ●		1300950		1320945	

GW 5/16" - 22 BSF						Ref.- No.:			
L1	L2	WL	W	SW		Steel	Brass	SST303	SST316L
18	5.5	13	90°	9mm HEX ●		1300945			

GW 5/16" - 24 NF/UNF/SAE						Ref.- No.:			
L1	L2	WL	W	SW		Steel	Brass	SST303	SST316L
18	5.5	13	90°	9mm HEX ●		1300938			

GW 5/16" BSW						Ref.- No.:			
L1	L2	WL	W	SW		Steel	Brass	SST303	SST316L
18	5.5	13	90°	9mm HEX ●		1300951			

GW 3/8" - 18 NPT/PTF						Ref.- No.:			
L1	L2	WL	W	SW		Steel	Brass	SST303	SST316L
20	7	19	90°	17mm HEX ●		1301760			

GW 3/8" - 20 BSF						Ref.- No.:			
L1	L2	WL	W	SW		Steel	Brass	SST303	SST316L
20	5.5	14	90°	11mm HEX ●		1301146			

GW 3/8" - 24 NF/UNF/SAE						Ref.- No.:			
L1	L2	WL	W	SW		Steel	Brass	SST303	SST316L
20	5.5	14	90°	11mm HEX ●		1301139			

GW 3/8" BSW						Ref.- No.:			
L1	L2	WL	W	SW		Steel	Brass	SST303	SST316L
20	5.5	14	90°	11mm HEX ●		1301152			

GW 1/2" - 20 UNF/NF/SAE						Ref.- No.:			
L1	L2	WL	W	SW		Steel	Brass	SST303	SST316L
22	6.5	14	90°	14mm HEX ●		1301440			